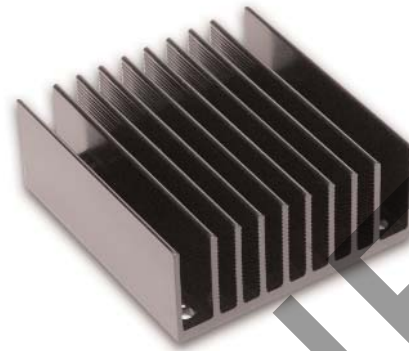
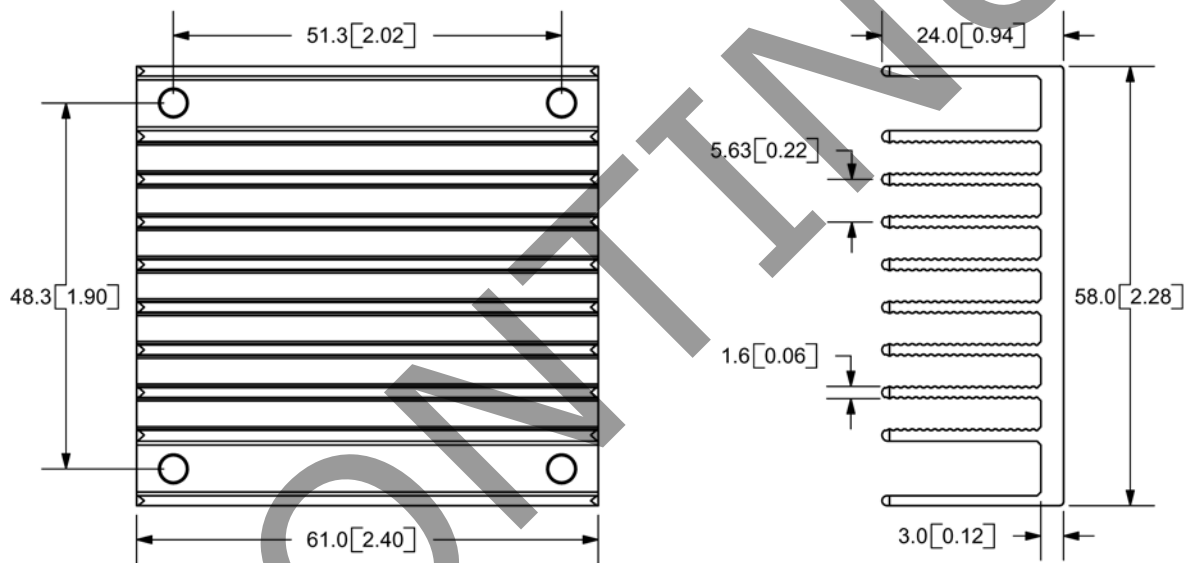


Features

- Designed for half-brick converters
- Keeps converters cool with natural convection or forced air
- Includes mounting screws and washers
- Black anodized finish
- Material: extruded 6063P5 aluminum


Mechanical Data


Weight: 2.4oz (68g) net
 Mounting Hardware: 4xM3x12mm screw with washer

Thermal Data
